



## SHO Series

*End suction, centrifugal pumps, with open and recessed impeller. They are ideal for various civil and industrial clean water applications. They are made of pressed AISI 316 stainless steel (pump body) and of precision cast stainless steel (impeller), minimising contamination and extending the life of the pump.*

### SPECIFICATIONS

- Delivery:** up to 56 m<sup>3</sup>/h.
- Head:** up to 50 m
- Power supply:** three-phase and single-phase 50 and 60 Hz
- Power:** 0.37 kW to 11 kW
- Maximum operating pressure:** 12 bar
- Temperature of pumped liquid:** -10°C to +120°C
- Insulation class:** F
- Protection:** IP55
- Open impeller pumps solids up to:** From 20 to 40mm depending on the models.

### MATERIALS

- Pump body:** Stainless steel
- Impeller:** Stainless steel
- Seal housing:** Stainless steel
- Mechanical seal:** Pump side: Silicon Carbide/Silicon Carbide/FPM (standard version); Drive side: Ceramic/carbon/FPM
- Fill and drain plugs:** Stainless steel
- Elastomers:** FPM (standard version)

### APPLICATIONS

- Industrial washing machines and washing of mechanical parts
- Washing machine emptying
- Commercial dishwashers
- Vacuum steamers
- Dyeing plants and textile industry
- Painting plants
- Washing system for the food industry
- Plants for the circulation and transfer of moderately viscous liquids, with light chemical aggressiveness
- Freshwater fish farming



**DEWAELE TECHNICAL AGENCIES**  
 Hazewindstraat 71  
 B-8540 DEERLJK  
 T +32 (0)56 73 5671  
 bernardcallens@dta-industrial.be  
 www.dta-pompen.com

For a complete list of technical information, consult [www.lowara.com](http://www.lowara.com)

*Engineered for life*



### LIST OF MODELS SHO SERIES 50 Hz 2 POLES

1

| SIZE        | kW  | VERSIONS |      |      |
|-------------|-----|----------|------|------|
|             |     | SHOE     | SHOS | SHOD |
| 25-125/11   | 1,1 | •        | •    | •    |
| 25-125/15   | 1,5 | •        | •    | •    |
| 25-125/22   | 2,2 | •        | •    | •    |
| 25-160/30   | 3   | •        | •    | •    |
| 25-160/40   | 4   | •        | •    | •    |
| 25-160/55   | 5,5 | •        | •    | •    |
| 25-200/30   | 3   | •        | •    | •    |
| 25-200/40   | 4   | •        | •    | •    |
| 25-200/55   | 5,5 | •        | •    | •    |
| 32-125/11   | 1,1 | •        | •    | •    |
| 32-125/15   | 1,5 | •        | •    | •    |
| 32-125/22   | 2,2 | •        | •    | •    |
| 32-160/30   | 3   | •        | •    | •    |
| 32-160/40   | 4   | •        | •    | •    |
| 32-160/55   | 5,5 | •        | •    | •    |
| 32-200/30   | 3   | •        | •    | •    |
| 32-200/40   | 4   | •        | •    | •    |
| 32-200/55   | 5,5 | •        | •    | •    |
| 40-125/15   | 1,5 | •        | •    | •    |
| 40-125/22   | 2,2 | •        | •    | •    |
| 40-125/30   | 3   | •        | •    | •    |
| 40-160/40   | 4   | •        | •    | •    |
| 40-160/55   | 5,5 | •        | •    | •    |
| 40-160/75   | 7,5 | •        | •    | •    |
| 50-125/55   | 5,5 | •        | •    | •    |
| 50-125/75   | 7,5 | •        | •    | •    |
| 50-160/92   | 9,2 | •        | -    | -    |
| 50-160/110A | 11  | -        | •    | •    |
| 50-160/110  | 11  | •        | •    | •    |

• = Available

sho\_2p50-en\_a\_tem



## General Catalogue

### SHOE - SHOS SHOD SERIES TABLE OF HYDRAULIC PERFORMANCES AT 50 Hz, 2 POLES



| PUMP TYPE                             | RATED POWER |      | Q = DELIVERY        |      |      |      |      |      |      |      |      |      |      |      |      |      |      |      |      | Passes solids up to (mm) |    |
|---------------------------------------|-------------|------|---------------------|------|------|------|------|------|------|------|------|------|------|------|------|------|------|------|------|--------------------------|----|
|                                       | kW          | HP   | l/min 0             | 150  | 200  | 250  | 300  | 333  | 350  | 367  | 383  | 400  | 500  | 550  | 567  | 600  | 667  | 800  | 950  |                          |    |
|                                       |             |      | m <sup>3</sup> /h 0 | 9    | 12   | 15   | 18   | 20   | 21   | 22   | 23   | 24   | 30   | 33   | 34   | 36   | 40   | 48   | 57   |                          |    |
| H = TOTAL HEAD METRES COLUMN OF WATER |             |      |                     |      |      |      |      |      |      |      |      |      |      |      |      |      |      |      |      |                          |    |
| SHO.. 25-125/11                       | 1,1         | 1,5  | 14,1                | 12,9 | 11,9 | 10,6 | 9,1  | 8,0  |      |      |      |      |      |      |      |      |      |      |      | 22                       |    |
| SHO.. 25-125/15                       | 1,5         | 2    | 17,6                | 16,6 | 15,7 | 14,6 | 13,4 | 12,4 | 11,9 | 11,4 |      |      |      |      |      |      |      |      |      | 22                       |    |
| SHO.. 25-125/22                       | 2,2         | 3    | 22,4                | 21,5 | 20,8 | 19,8 | 18,6 | 17,7 | 17,2 | 16,8 | 16,3 | 15,7 |      |      |      |      |      |      |      | 22                       |    |
| SHO.. 25-160/30                       | 3           | 4    | 29,3                | 28,3 | 27,4 | 26,2 | 24,9 | 23,9 | 23,4 | 22,9 |      |      |      |      |      |      |      |      |      | 22                       |    |
| SHO.. 25-160/40                       | 4           | 5,5  | 36,7                | 36,2 | 35,5 | 34,4 | 33,2 | 32,2 | 31,7 | 31,2 | 30,6 |      |      |      |      |      |      |      |      | 22                       |    |
| SHO.. 25-160/55                       | 5,5         | 7,5  | 44,8                | 44,7 | 44,2 | 43,5 | 42,4 | 41,6 | 41,1 | 40,6 | 40,1 | 39,5 |      |      |      |      |      |      |      | 22                       |    |
| SHO.. 25-200/30                       | 3           | 4    | 32,6                | 31,4 | 30,4 | 29,2 | 27,6 | 26,5 |      |      |      |      |      |      |      |      |      |      |      | 20                       |    |
| SHO.. 25-200/40                       | 4           | 5,5  | 40,7                | 40,0 | 39,2 | 38,1 | 36,8 | 35,8 | 35,2 |      |      |      |      |      |      |      |      |      |      | 20                       |    |
| SHO.. 25-200/55                       | 5,5         | 7,5  | 49,3                | 48,9 | 48,2 | 47,2 | 45,9 | 45,0 | 44,6 | 44,1 |      |      |      |      |      |      |      |      |      | 20                       |    |
| SHO.. 32-125/11                       | 1,1         | 1,5  | 14,0                | 13,2 | 12,4 | 11,5 | 10,4 | 9,6  |      |      |      |      |      |      |      |      |      |      |      | 22                       |    |
| SHO.. 32-125/15                       | 1,5         | 2    | 17,6                | 16,7 | 16,1 | 15,4 | 14,4 | 13,7 | 13,4 | 13,0 |      |      |      |      |      |      |      |      |      | 22                       |    |
| SHO.. 32-125/22                       | 2,2         | 3    | 22,7                | 21,9 | 21,4 | 20,7 | 19,9 | 19,3 | 19,0 | 18,7 | 18,4 | 18,1 |      |      |      |      |      |      |      | 22                       |    |
| SHO.. 32-160/30                       | 3           | 4    | 29,3                | 28,6 | 27,9 | 27,1 | 26,1 | 25,4 | 25,0 | 24,6 |      |      |      |      |      |      |      |      |      | 22                       |    |
| SHO.. 32-160/40                       | 4           | 5,5  | 36,8                | 36,4 | 36,0 | 35,3 | 34,4 | 33,7 | 33,3 | 32,9 | 32,5 |      |      |      |      |      |      |      |      | 22                       |    |
| SHO.. 32-160/55                       | 5,5         | 7,5  | 44,7                | 44,7 | 44,5 | 44,0 | 43,4 | 42,9 | 42,6 | 42,2 | 41,9 | 41,5 |      |      |      |      |      |      |      | 22                       |    |
| SHO.. 32-200/30                       | 3           | 4    | 32,6                | 31,4 | 30,6 | 29,5 | 28,1 | 27,0 |      |      |      |      |      |      |      |      |      |      |      | 20                       |    |
| SHO.. 32-200/40                       | 4           | 5,5  | 40,9                | 40,3 | 39,5 | 38,6 | 37,4 | 36,5 | 36,1 |      |      |      |      |      |      |      |      |      |      | 20                       |    |
| SHO.. 32-200/55                       | 5,5         | 7,5  | 49,5                | 49,0 | 48,4 | 47,6 | 46,6 | 45,8 | 45,4 | 45,0 |      |      |      |      |      |      |      |      |      | 20                       |    |
| SHO.. 40-125/15                       | 1,5         | 2    | 14,0                |      | 13,5 | 13,1 | 12,5 | 12,1 | 11,9 | 11,7 | 11,4 | 11,2 |      |      |      |      |      |      |      | 30                       |    |
| SHO.. 40-125/22                       | 2,2         | 3    | 18,6                |      | 17,8 | 17,3 | 16,8 | 16,4 | 16,2 | 16,0 | 15,9 | 15,7 | 14,3 |      |      |      |      |      |      | 30                       |    |
| SHO.. 40-125/30                       | 3           | 4    | 20,9                |      | 19,9 | 19,5 | 19,0 | 18,7 | 18,5 | 18,3 | 18,1 | 17,9 | 16,6 | 15,9 |      |      |      |      |      | 30                       |    |
| SHO.. 40-160/40                       | 4           | 5,5  | 31,3                |      | 30,7 | 30,2 | 29,5 | 29,1 | 28,8 | 28,6 | 28,3 | 28,1 | 26,6 |      |      |      |      |      |      | 30                       |    |
| SHO.. 40-160/55                       | 5,5         | 7,5  | 38,7                |      | 38,3 | 37,9 | 37,4 | 36,9 | 36,7 | 36,4 | 36,1 | 35,9 | 34,1 | 33,2 | 33,0 |      |      |      |      | 30                       |    |
| SHO.. 40-160/75                       | 7,5         | 10   | 42,9                |      | 42,8 | 42,4 | 42,0 | 41,6 | 41,4 | 41,2 | 41,0 | 40,8 | 39,3 | 38,5 | 38,2 | 37,6 |      |      |      | 30                       |    |
| SHO.. 50-125/55                       | 5,5         | 7,5  | 29,7                |      |      |      | 29,3 | 29,1 | 29,0 | 28,9 | 28,8 | 28,7 | 28,0 | 27,6 | 27,5 | 27,2 | 26,7 |      |      | 40                       |    |
| SHO.. 50-125/75                       | 7,5         | 10   | 32,0                |      |      |      | 31,7 | 31,6 | 31,5 | 31,4 | 31,3 | 31,2 | 30,5 | 30,1 | 30,0 | 29,7 | 29,2 | 28,2 |      | 40                       |    |
| SHO.. 50-160/92                       | 9,2         | 12,5 | 41,9                |      |      |      |      |      |      |      |      |      | 40,4 | 39,3 | 38,8 | 38,6 | 38,3 | 37,7 | 36,6 | 30                       |    |
| SHO.. 50-160/110                      | 11          | 15   | 45,1                |      |      |      |      |      |      |      |      |      | 43,2 | 42,2 | 41,6 | 41,5 | 41,1 | 40,5 | 39,4 | 38,4                     | 30 |

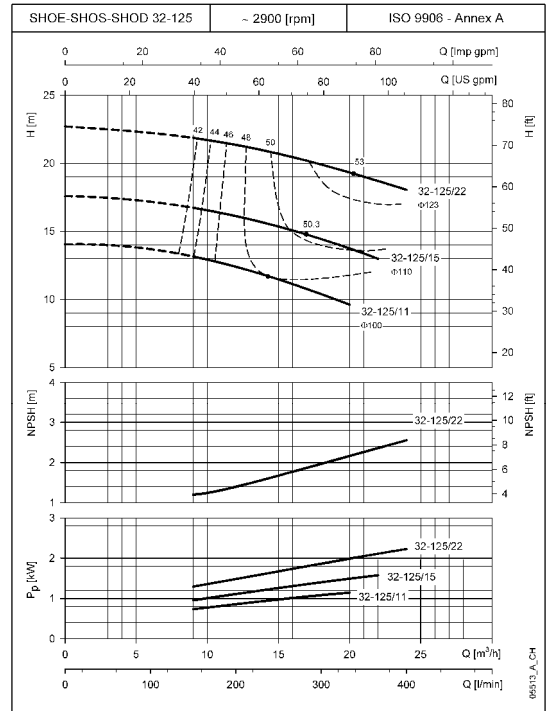
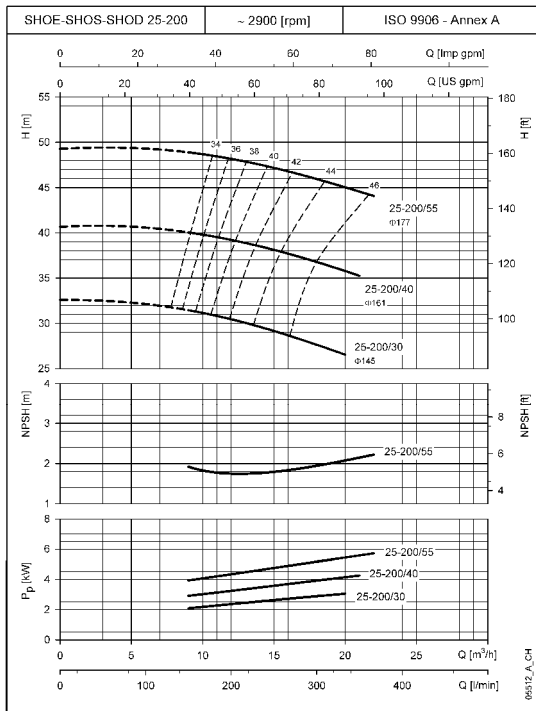
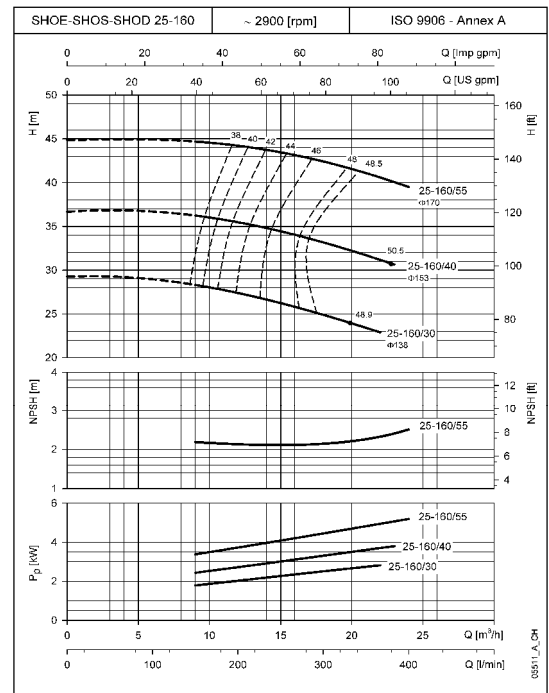
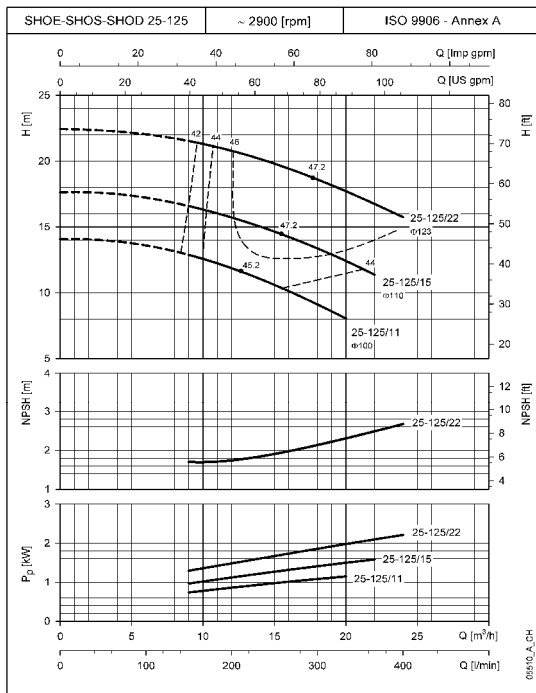
Performances according to ISO standards 9906 - Annex A.

sho\_2p50-en\_c\_th



### SHOE - SHOS - SHOD SERIES OPERATING CHARACTERISTICS AT 50 Hz, 2 POLES

1



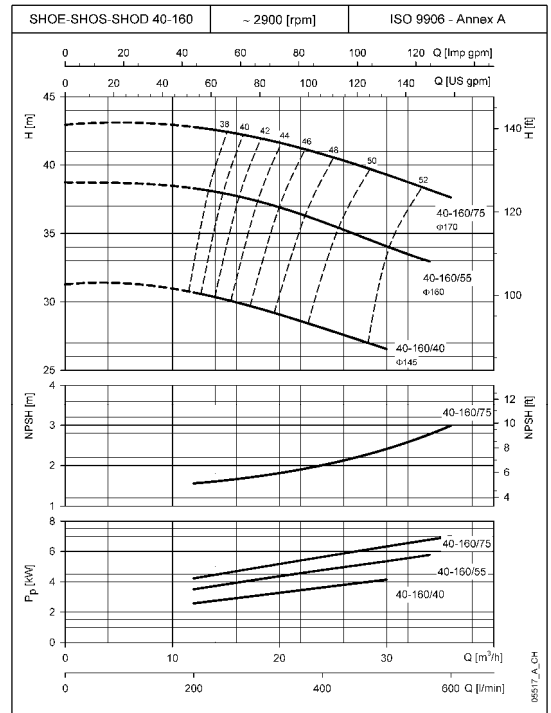
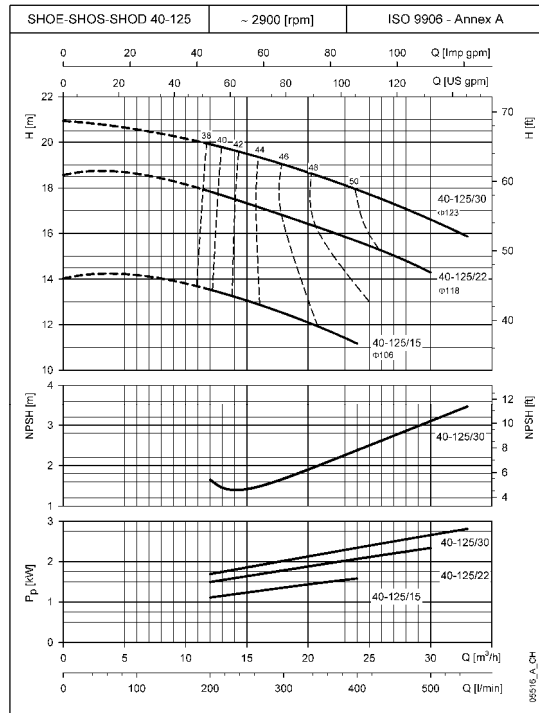
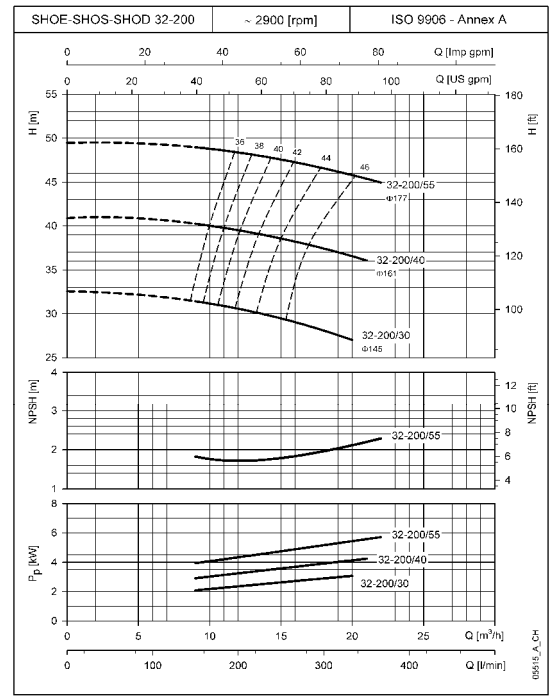
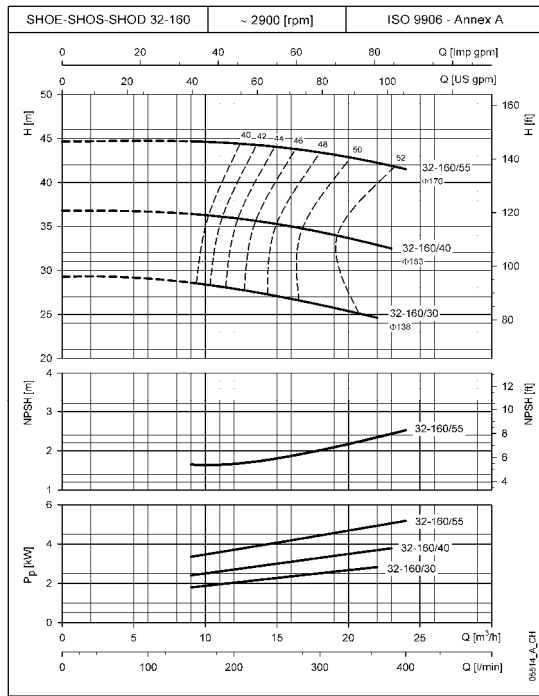
These performances are valid for liquids with density  $\rho = 1.0 \text{ kg/dm}^3$  and kinematic viscosity  $\nu = 1 \text{ mm}^2/\text{s}$ .

*Engineered for life*



## General Catalogue

### SHOE - SHOS - SHOD SERIES OPERATING CHARACTERISTICS AT 50 Hz, 2 POLES



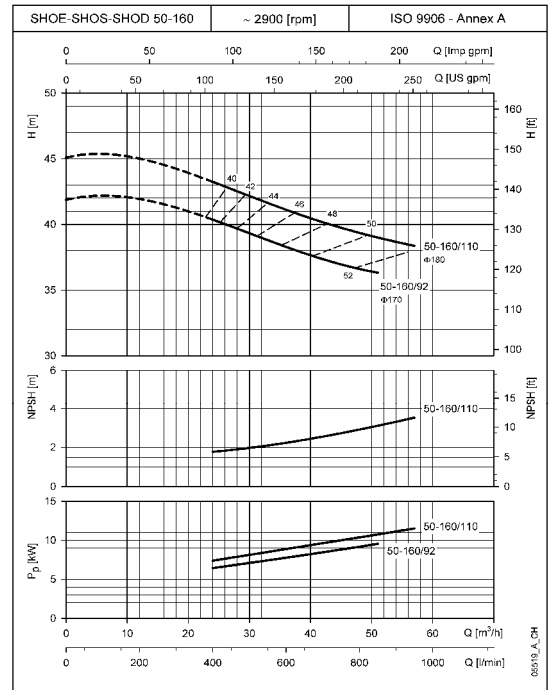
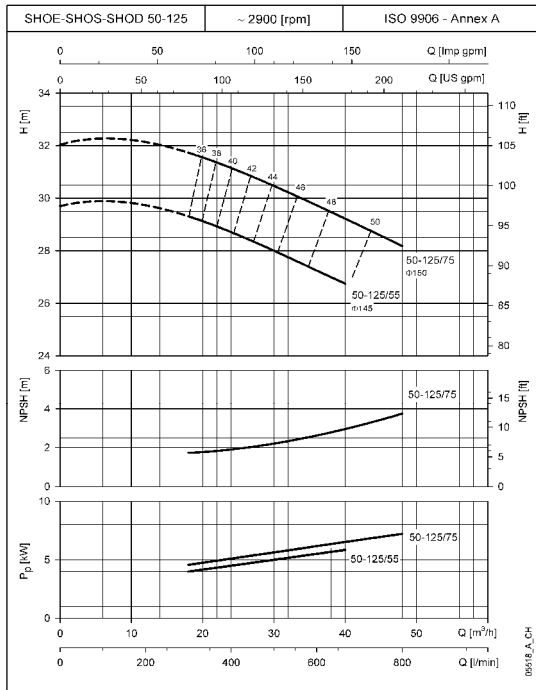
These performances are valid for liquids with density  $\rho = 1.0 \text{ kg/dm}^3$  and kinematic viscosity  $\nu = 1 \text{ mm}^2/\text{s}$ .

*Engineered for life*



### SHOE - SHOS - SHOD SERIES OPERATING CHARACTERISTICS AT 50 Hz, 2 POLES

1



These performances are valid for liquids with density  $\rho = 1.0 \text{ kg/dm}^3$  and kinematic viscosity  $\nu = 1 \text{ mm}^2/\text{s}$ .

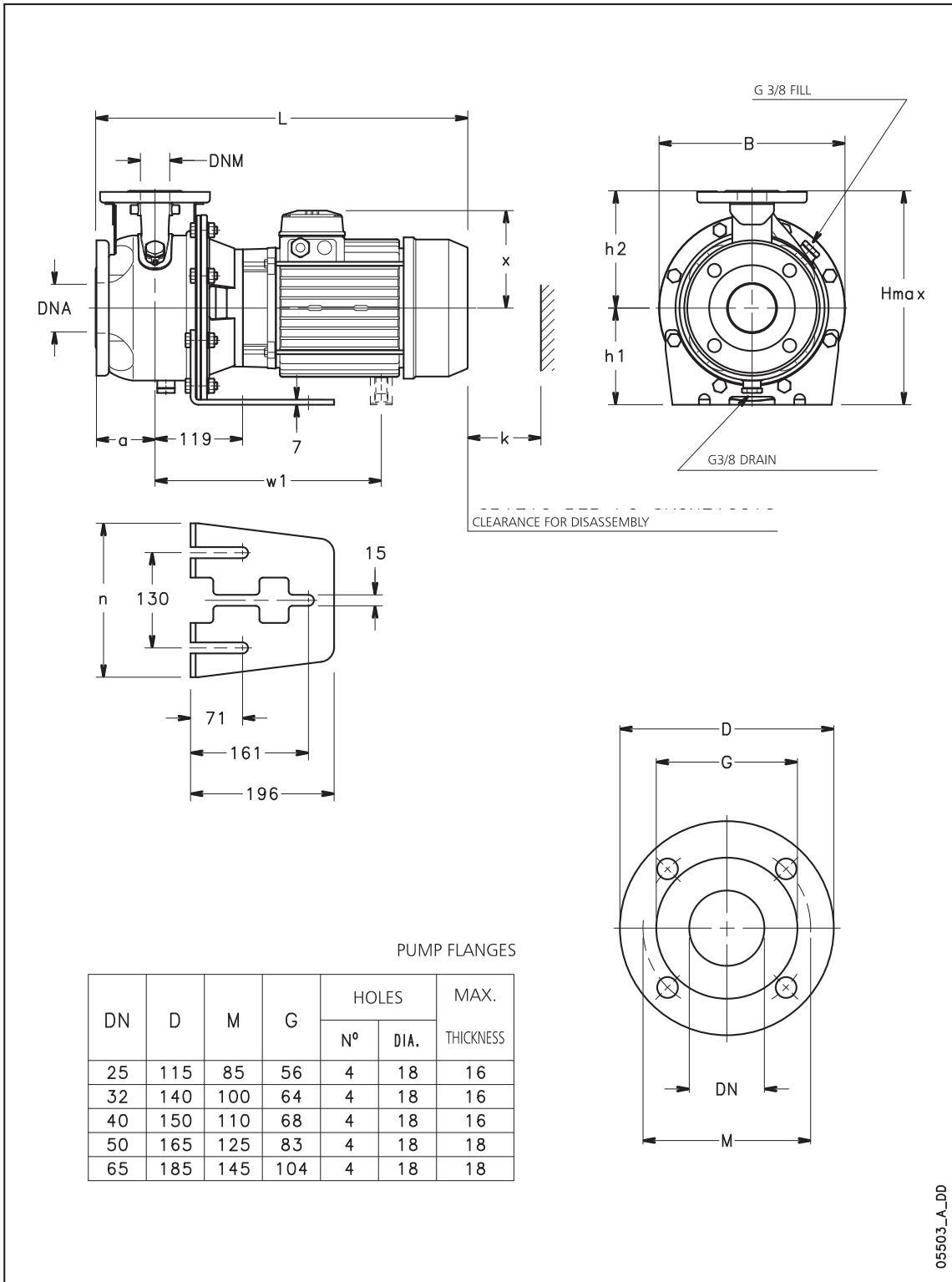
*Engineered for life*



## General Catalogue

### SHOE SERIES DIMENSIONS AND WEIGHTS

1



*Engineered for life*



### SHOE SERIES DIMENSIONS AND WEIGHTS

| PUMP TYPE       | DIMENSIONS (mm) |     |     |     |     |     |         |     |     |          |     |     | WEIGHT<br>kg |
|-----------------|-----------------|-----|-----|-----|-----|-----|---------|-----|-----|----------|-----|-----|--------------|
|                 | PUMP            |     |     |     |     |     | SUPPORT |     | B   | H<br>max | L   | k   |              |
|                 | DNM             | DNA | a   | h2  | w1  | x   | h1      | n   |     |          |     |     |              |
| SHOE 25-125/11  | 25              | 50  | 80  | 140 | -   | 129 | 112     | 190 | 219 | 252      | 453 | 98  | 20           |
| SHOE 25-125/15  | 25              | 50  | 80  | 140 | -   | 129 | 112     | 190 | 219 | 252      | 453 | 98  | 21           |
| SHOE 25-125/22  | 25              | 50  | 80  | 140 | -   | 129 | 112     | 190 | 219 | 252      | 453 | 98  | 23           |
| SHOE 25-160/30  | 25              | 50  | 80  | 160 | -   | 134 | 132     | 210 | 254 | 292      | 488 | 98  | 33           |
| SHOE 25-160/40  | 25              | 50  | 80  | 160 | -   | 154 | 132     | 210 | 254 | 292      | 509 | 98  | 40           |
| SHOE 25-160/55  | 25              | 50  | 80  | 160 | -   | 168 | 132     | 210 | 254 | 292      | 543 | 98  | 48           |
| SHOE 25-200/30  | 25              | 50  | 80  | 180 | -   | 134 | 160     | 230 | 284 | 340      | 488 | 98  | 36           |
| SHOE 25-200/40  | 25              | 50  | 80  | 180 | -   | 154 | 160     | 230 | 284 | 340      | 509 | 98  | 42           |
| SHOE 25-200/55  | 25              | 50  | 80  | 180 | -   | 168 | 160     | 230 | 284 | 340      | 543 | 98  | 51           |
| SHOE 32-125/11  | 32              | 50  | 80  | 140 | -   | 129 | 112     | 190 | 219 | 252      | 453 | 98  | 20           |
| SHOE 32-125/15  | 32              | 50  | 80  | 140 | -   | 129 | 112     | 190 | 219 | 252      | 453 | 98  | 21           |
| SHOE 32-125/22  | 32              | 50  | 80  | 140 | -   | 129 | 112     | 190 | 219 | 252      | 453 | 98  | 23           |
| SHOE 32-160/30  | 32              | 50  | 80  | 160 | -   | 134 | 132     | 210 | 254 | 292      | 488 | 98  | 33           |
| SHOE 32-160/40  | 32              | 50  | 80  | 160 | -   | 154 | 132     | 210 | 254 | 292      | 509 | 98  | 40           |
| SHOE 32-160/55  | 32              | 50  | 80  | 160 | -   | 168 | 132     | 210 | 254 | 292      | 543 | 98  | 48           |
| SHOE 32-200/30  | 32              | 50  | 80  | 180 | -   | 134 | 160     | 230 | 284 | 340      | 488 | 98  | 36           |
| SHOE 32-200/40  | 32              | 50  | 80  | 180 | -   | 154 | 160     | 230 | 284 | 340      | 509 | 98  | 42           |
| SHOE 32-200/55  | 32              | 50  | 80  | 180 | -   | 168 | 160     | 230 | 284 | 340      | 543 | 98  | 51           |
| SHOE 40-125/15  | 40              | 65  | 80  | 140 | -   | 129 | 112     | 190 | 219 | 252      | 463 | 100 | 22           |
| SHOE 40-125/22  | 40              | 65  | 80  | 140 | -   | 129 | 112     | 190 | 219 | 252      | 463 | 100 | 24           |
| SHOE 40-125/30  | 40              | 65  | 80  | 140 | -   | 134 | 112     | 190 | 219 | 252      | 498 | 100 | 32           |
| SHOE 40-160/40  | 40              | 65  | 80  | 160 | -   | 154 | 132     | 210 | 254 | 292      | 519 | 100 | 41           |
| SHOE 40-160/55  | 40              | 65  | 80  | 160 | -   | 168 | 132     | 210 | 254 | 300      | 553 | 100 | 49           |
| SHOE 40-160/75  | 40              | 65  | 80  | 160 | -   | 191 | 132     | 210 | 254 | 323      | 567 | 100 | 64           |
| SHOE 50-125/55  | 50              | 65  | 100 | 160 | -   | 168 | 132     | 210 | 254 | 300      | 573 | 104 | 49           |
| SHOE 50-125/75  | 50              | 65  | 100 | 160 | -   | 191 | 132     | 210 | 254 | 323      | 587 | 104 | 65           |
| SHOE 50-160/92  | 50              | 65  | 100 | 180 | 363 | 191 | 160     | 210 | 254 | 351      | 625 | 104 | 60           |
| SHOE 50-160/110 | 50              | 65  | 100 | 180 | 363 | 191 | 160     | 210 | 254 | 351      | 625 | 104 | 63           |

shoe-2p50-en\_b\_td

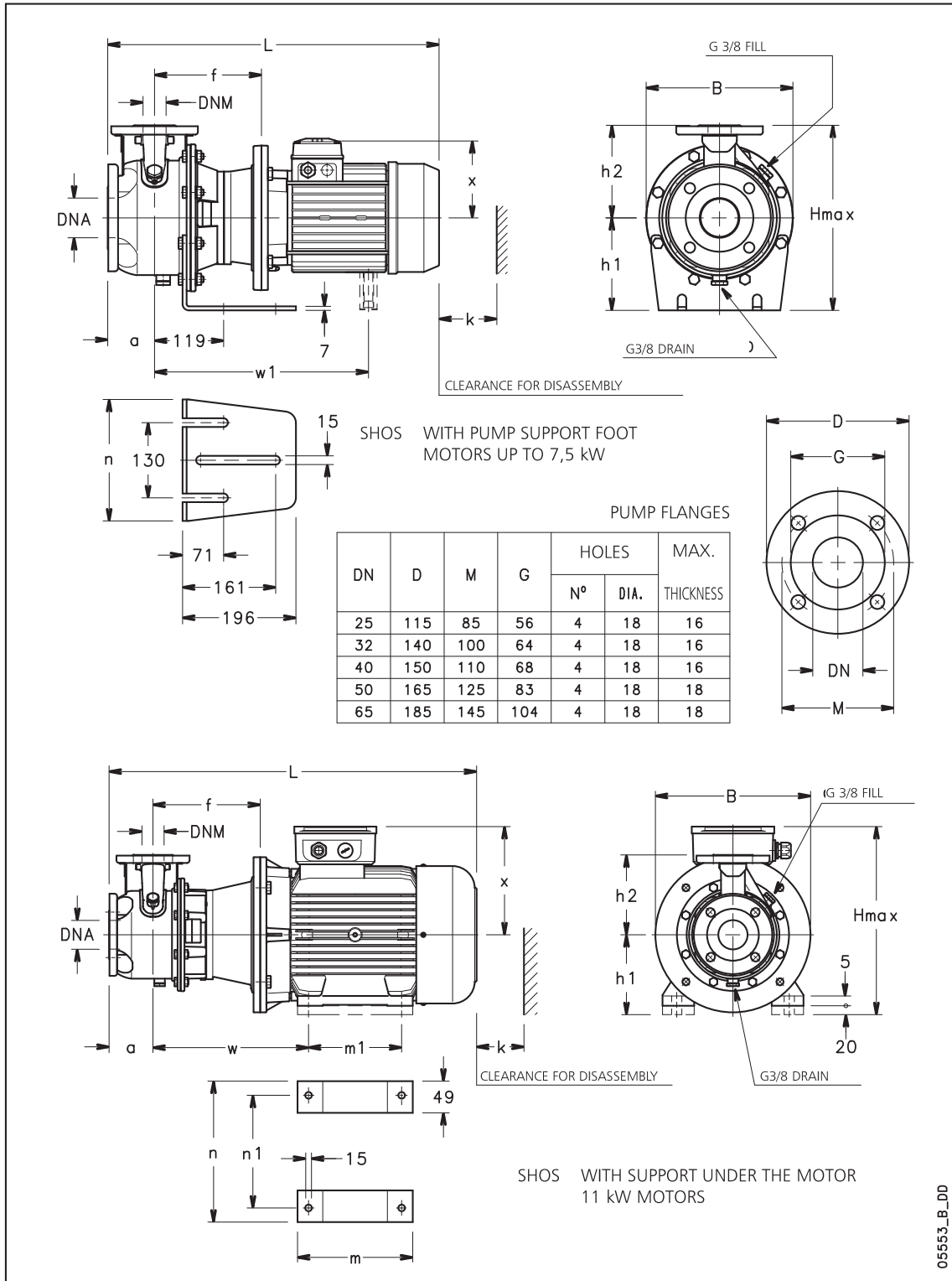




## General Catalogue

### SHOS SERIES DIMENSIONS AND WEIGHTS

1





### SHOS SERIES DIMENSIONS AND WEIGHTS

| PUMP TYPE        | DIMENSIONS (mm) |     |     |     |     |     |     |     |         |     |     |     |     |          |     | WEIGHT<br>kg |     |     |
|------------------|-----------------|-----|-----|-----|-----|-----|-----|-----|---------|-----|-----|-----|-----|----------|-----|--------------|-----|-----|
|                  | PUMP            |     |     |     |     |     |     |     | SUPPORT |     |     |     | B   | H<br>max | L   |              | k   |     |
|                  | DNM             | DNA | a   | f   | h2  | w   | w1  | x   | h1      | m   | m1  | n   |     |          |     |              |     | n1  |
| SHOS 25-125/11   | 25              | 50  | 80  | 165 | 140 | -   | -   | 129 | 112     | -   | -   | 190 | -   | 219      | 252 | 508          | 98  | 24  |
| SHOS 25-125/15   | 25              | 50  | 80  | 165 | 140 | -   | -   | 129 | 112     | -   | -   | 190 | -   | 219      | 252 | 508          | 98  | 26  |
| SHOS 25-125/22   | 25              | 50  | 80  | 165 | 140 | -   | -   | 129 | 112     | -   | -   | 190 | -   | 219      | 252 | 508          | 98  | 28  |
| SHOS 25-160/30   | 25              | 50  | 80  | 175 | 160 | -   | -   | 134 | 160     | -   | -   | 210 | -   | 254      | 320 | 553          | 98  | 42  |
| SHOS 25-160/40   | 25              | 50  | 80  | 175 | 160 | -   | -   | 154 | 160     | -   | -   | 210 | -   | 254      | 320 | 574          | 98  | 47  |
| SHOS 25-160/55   | 25              | 50  | 80  | 202 | 160 | -   | 409 | 168 | 160     | -   | -   | 210 | -   | 254      | 320 | 657          | 98  | 60  |
| SHOS 25-200/30   | 25              | 50  | 80  | 175 | 180 | -   | -   | 134 | 160     | -   | -   | 230 | -   | 284      | 340 | 553          | 98  | 44  |
| SHOS 25-200/40   | 25              | 50  | 80  | 175 | 180 | -   | -   | 154 | 160     | -   | -   | 230 | -   | 284      | 340 | 574          | 98  | 50  |
| SHOS 25-200/55   | 25              | 50  | 80  | 202 | 180 | -   | 409 | 168 | 160     | -   | -   | 230 | -   | 284      | 340 | 657          | 98  | 63  |
| SHOS 32-125/11   | 32              | 50  | 80  | 165 | 140 | -   | -   | 129 | 112     | -   | -   | 190 | -   | 219      | 252 | 508          | 98  | 24  |
| SHOS 32-125/15   | 32              | 50  | 80  | 165 | 140 | -   | -   | 129 | 112     | -   | -   | 190 | -   | 219      | 252 | 508          | 98  | 26  |
| SHOS 32-125/22   | 32              | 50  | 80  | 165 | 140 | -   | -   | 129 | 112     | -   | -   | 190 | -   | 219      | 252 | 508          | 98  | 28  |
| SHOS 32-160/30   | 32              | 50  | 80  | 175 | 160 | -   | -   | 134 | 160     | -   | -   | 210 | -   | 254      | 320 | 553          | 98  | 42  |
| SHOS 32-160/40   | 32              | 50  | 80  | 175 | 160 | -   | -   | 154 | 160     | -   | -   | 210 | -   | 254      | 320 | 574          | 98  | 47  |
| SHOS 32-160/55   | 32              | 50  | 80  | 202 | 160 | -   | 409 | 168 | 160     | -   | -   | 210 | -   | 254      | 320 | 657          | 98  | 60  |
| SHOS 32-200/30   | 32              | 50  | 80  | 175 | 180 | -   | -   | 134 | 160     | -   | -   | 230 | -   | 284      | 340 | 553          | 98  | 44  |
| SHOS 32-200/40   | 32              | 50  | 80  | 175 | 180 | -   | -   | 154 | 160     | -   | -   | 230 | -   | 284      | 340 | 574          | 98  | 50  |
| SHOS 32-200/55   | 32              | 50  | 80  | 202 | 180 | -   | 409 | 168 | 160     | -   | -   | 230 | -   | 284      | 340 | 657          | 98  | 63  |
| SHOS 40-125/15   | 40              | 65  | 80  | 175 | 140 | -   | -   | 129 | 112     | -   | -   | 190 | -   | 219      | 252 | 518          | 100 | 27  |
| SHOS 40-125/22   | 40              | 65  | 80  | 175 | 140 | -   | -   | 129 | 112     | -   | -   | 190 | -   | 219      | 252 | 518          | 100 | 29  |
| SHOS 40-125/30   | 40              | 65  | 80  | 185 | 140 | -   | -   | 134 | 160     | -   | -   | 190 | -   | 219      | 300 | 563          | 100 | 40  |
| SHOS 40-160/40   | 40              | 65  | 80  | 185 | 160 | -   | -   | 154 | 160     | -   | -   | 210 | -   | 254      | 320 | 584          | 100 | 48  |
| SHOS 40-160/55   | 40              | 65  | 80  | 212 | 160 | -   | 419 | 168 | 160     | -   | -   | 210 | -   | 254      | 328 | 667          | 100 | 61  |
| SHOS 40-160/75   | 40              | 65  | 80  | 212 | 160 | -   | 417 | 191 | 160     | -   | -   | 210 | -   | 254      | 351 | 659          | 100 | 79  |
| SHOS 50-125/55   | 50              | 65  | 100 | 212 | 160 | -   | 419 | 168 | 160     | -   | -   | 210 | -   | 254      | 328 | 687          | 104 | 61  |
| SHOS 50-125/75   | 50              | 65  | 100 | 212 | 160 | -   | 417 | 191 | 160     | -   | -   | 210 | -   | 254      | 351 | 679          | 104 | 79  |
| SHOS 50-160/110A | 50              | 65  | 100 | 242 | 180 | 350 | -   | 240 | 180     | 304 | 210 | 304 | 254 | 350      | 420 | 836          | 104 | 117 |
| SHOS 50-160/110  | 50              | 65  | 100 | 242 | 180 | 350 | -   | 240 | 180     | 304 | 210 | 304 | 254 | 350      | 420 | 836          | 104 | 117 |

shos-2p50-en\_b\_td



**DEWAELE TECHNICAL AGENCIES**  
 Hazewindstraat 71  
 B-8540 DEERLJK  
 T +32 (0)56 73 5671  
 bernardcallens@dta-industrial.be  
 www.dta-pompen.com